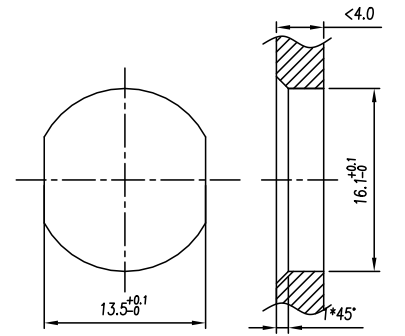


REVISION RECORD				
REV.	DESCRIPTION	ECN No.	APPROVED	DATE

IEC 技术参数 IEC Technical Data		IEC61076-2-101
工作温度 Operating temperatur [°C]		-25~+80
防护等级 IP Class (IN Locked condition)		IP67
额定电压 Rated Voltage [V]		
额定电流 Rated Current [A]		
导线截面积 Conductor cross section 硬质/柔性导线 Solid/ flexible [mm ²]		
接线范围 Wire Range 单/多芯线 Solid/Stranded [AWG]		
材料 Material		
绝缘材料 Insulation Material		PA 66
阻燃等级 Imflammability		UL94V-0
导体材料 Contactor Material		铜合金 Copper alloy
导体镀层 Contactive Coating		镀金 Gold Plated
螺母/螺丝 Connector Nut/Screw		Brass With Nickel Plated 铜镀镍
符合RoHS环保要求		

Contacts Pin 数	3Pin	4Pin	5Pin	8Pin	12Pin	17Pin
A-Coding						
Rated Current 额定电流	4A	4A	4A	2A	1.5A	1.5A
Rated Voltage 额定电压	250V	250V	60V	30V	30V	30V
Wire Range 线范围	22AWG	22AWG	22AWG	24AWG	26AWG	26AWG
PART NO. 品名: (0.5M)	M12-A03P-ST0-F02-BQ1-050	M12-A04P-ST0-F02-BQ1-050	M12-A05P-ST0-F02-BQ1-050	M12-A08P-ST0-F02-BQ1-050	M12-A12P-ST0-F02-BQ1-050	M12-A17P-ST0-F02-BQ1-050



Panel cut-out

H	WIRE	WIRE:UL 1061 L=508m	pcs	X	
G	NUT	NUT M16 X1.5,Brass With Nickel Plated	pcs	1	
F	O-Ring	O-Ring FKM Green	pcs	1	
E	Resin	Black epoxy resin for sealing	g	2	
D	O-Ring	O-Ring FKM Black	pcs	1	
C	Housing	A-Coding Female,Black PA66	pcs	1	
B	Terminal	Female Terminal ,Brass With Gold Plated	pcs	X	
A	Screw	Screw M12 X1.0,Brass With Nickel Plated	pcs	1	
编号 No.	料号 Materials.No	品名 Name	材料规格 Description	单位 Unit	用量 Qty

		慈溪市万捷电子有限公司 CIXI WANJIE ELECTRONIC CO., LTD			PART NO.: M12-AXXP-ST0-F02-BQ1-050	
		NO SPECIFIED TOLERANCE	Cus' P/N:	Order No: ---	Drawing No.:	SP-02-M000XX
LINEAR	0.5-6	±0.1	DES.	JUN	DATE	UNITS mm
	6-30	±0.2	CHK.	DATE	SCALE	A4
	>30	±2%	APP.	DATE	SCALE	X:X
ANGLES	±1°		THIRD ANGLE PROJECTION		PAGE 1 of 2	
文件等级: 外部公开						

REVISION RECORD				
REV.	DESCRIPTION	ECN No.	APPROVED	DATE

3Pin

P1	Wirelist
1	brown
3	blue
4	black

4Pin

P1	Wirelist
1	brown
2	white
3	blue
4	black

5Pin

P1	Wirelist
1	brown
2	white
3	blue
4	black
5	grey

17Pin

P1	Wirelist
1	brown
2	blue
3	white
4	green
5	pink
6	yellow
7	black
8	grey
9	red
10	violet
11	grey/pink
12	red/blue
13	white/green
14	brown/green
15	white/yellow
16	yellow/brown
17	white/grey

12Pin

P1	Wirelist
1	brown
2	blue
3	white
4	green
5	pink
6	yellow
7	black
8	grey
9	red
10	violet
11	grey/pink
12	red/blue

8Pin

P1	Wirelist
1	white
2	brown
3	green
4	yellow
5	grey
6	pink
7	blue
8	red

 慈溪市万捷电子有限公司 CIXI WANJIE ELECTRONIC CO., LTD		PART NO.:		M12-AXXP-ST0-F02-BQ1-050					
		Order No.:		---					
NO SPECIFIED TOLERANCE		Cus' P/N:		Drawing No.:		SP-02-M000XX			
LINEAR	0.5-6	±0.1	DES.	Jun	DATE	UNITS	mm	THIRD ANGLE PROJECTION	PAGE
	6-30	±0.2	CHK.		DATE	SIZE	A4		
	>30	±2%	APP.		DATE	SCALE	X:X	文件等级: 外部公开	