

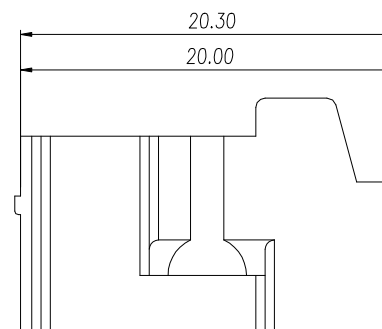
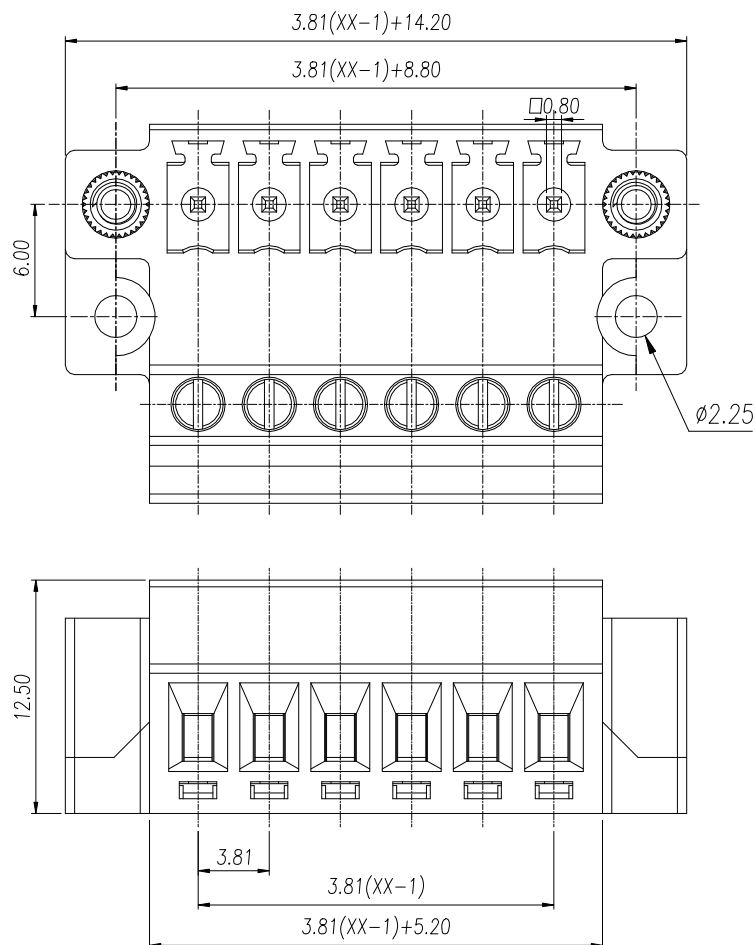


# 慈溪市万捷电子有限公司

## CIXI WANJIE ELECTRONIC CO., LTD

### REVISION RECORD

| REV. | DESCRIPTION | ECN No. | APPROVED | DATE |
|------|-------------|---------|----------|------|
|      |             |         |          |      |
|      |             |         |          |      |
|      |             |         |          |      |



| UL/CUL 技术参数        |                                   | UL/CUL Technical Data |     |     |  |
|--------------------|-----------------------------------|-----------------------|-----|-----|--|
| 等级                 | Use Group                         | B                     | C   | D   |  |
| 额定电压               | Rated Voltage [V]                 | 300                   | -   | 300 |  |
| 额定电流               | Rated Current [A]                 | 8                     | -   | 8   |  |
| 接线范围               | Wire Range                        | 28-16                 |     |     |  |
| 单/多芯线              | Solid/Stranded [AWG]              | 28-16                 |     |     |  |
| 耐电压                | Withstanding Voltage              | 1600V/1Min            |     |     |  |
| IEC 技术参数           |                                   | IEC61984              |     |     |  |
| IEC Technical Data |                                   | IEC61984              |     |     |  |
| 过电压类别              | Overtoltage Category              | III                   | III | II  |  |
| 污染等级               | Contamination Class               | 3                     | 2   | 2   |  |
| 额定电压               | Rated Voltage [V]                 | 160                   | 160 | 320 |  |
| 额定电流               | Rated Current [A]                 | 7                     | 7   | 7   |  |
| 额定冲击电压             | Impulse withstand voltage [KV]    | 2.5                   | 2.5 | 2.5 |  |
| 导线截面积              | Conductor cross section           | 0.5-1.5               |     |     |  |
| 硬质/柔性导线            | Solid/flexible [mm <sup>2</sup> ] | 0.5-1.5               |     |     |  |
| 材料                 |                                   | Material              |     |     |  |
| 绝缘材料               | Insulation Material               | PA66                  |     |     |  |
| 阻燃等级               | Imflamability                     | UL94V-0               |     |     |  |
| 导体材料               | Contactior Material               | 铜合金 Copper alloy      |     |     |  |
| 导体表面镀层             | Contactive Coating                | 镀锡 Sn Plated          |     |     |  |
| 一般参数               |                                   | Other Data            |     |     |  |
| 间距                 | Pitch /极数 Poles [mm] / [P]        | 3.81 / 02-24          |     |     |  |
| 剥线长度               | Stripping Length [mm]             | 6-7                   |     |     |  |
| 螺丝                 | Screw/扭矩 Torque(Max) [N.m]        | M2/0.2                |     |     |  |
| 工作温度               | Operating temperature [°C]        | -40~105               |     |     |  |
| 焊锡温度               | Soldering temperature             | -                     |     |     |  |
| 引针尺寸               | Pin Dimensions [mm]               | -                     |     |     |  |
| PCB板孔径             | PCB Hole Diameter [mm]            | -                     |     |     |  |

linear dimension(Tolerances Standard GB/T 14486-2008)

| variable range | to 6  | over 6 to 10 | over 10 to 30 | over 30 to 60 | over 60 to 100 | over 100 to 160 | over 160 to | to 10 | over 10 to 100 | over 100 to |
|----------------|-------|--------------|---------------|---------------|----------------|-----------------|-------------|-------|----------------|-------------|
| tolerance      | ±0.20 | ±0.30        | ±0.50         | ±0.70         | ±1.00          | ±1.30           | ±1.60       | 0.10  | 0.30           | 0.60        |

|  |    |           |    |            |     |   |          |    |
|--|----|-----------|----|------------|-----|---|----------|----|
| 单位 / UNITS                                     | mm | 尺寸 / SIZE | A4 | 比例 / SCALE | 5:2 | 第三视角 / THIRD ANGLE PROJECTION             | 版本 / REV | V0 |
|  |    |           |    |            |     |   |          |    |
| 慈溪市万捷电子有限公司<br>CIXI WANJIE ELECTRONIC CO., LTD |    |           |    |            |     | 名称 / TITLE<br>WJ15EDGGBM-3.81-XXP-1YY-00A |          |    |