

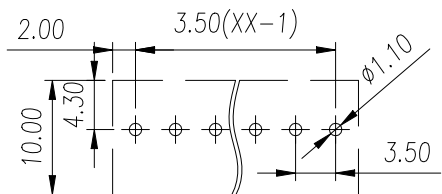


慈溪市万捷电子有限公司

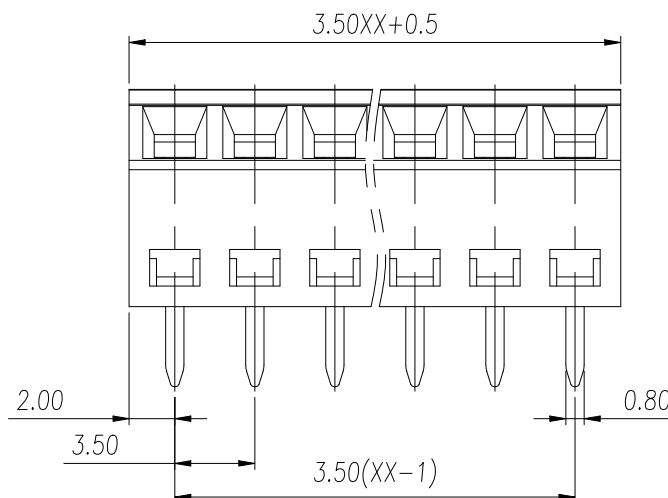
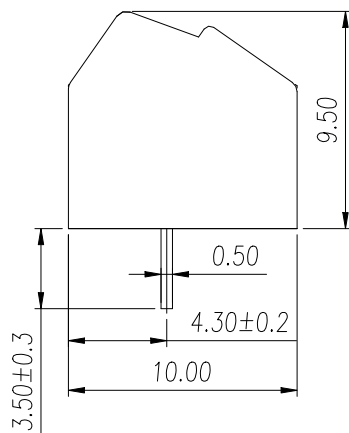
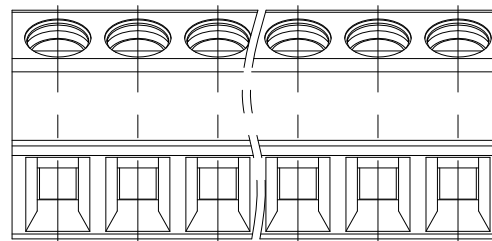
CIXI WANJIE ELECTRONIC CO., LTD

REVISION RECORD

REV.	DESCRIPTION	ECN No.	APPROVED	DATE



P.C.B. LAYOUT



UL/CUL 技术参数		UL/CUL Technical Data			
等级	Use Group	B	C	D	
额定电压	Rated Voltage [V]	300	-	300	
额定电流	Rated Current [A]	10	-	10	
接线范围	Wire Range	26-16			
单/多芯线	Solid/Stranded [AWG]	26-16			
耐电压	Withstanding Voltage	1600V/1Min			
IEC 技术参数		IEC 60947-7-4			
过电压类别	Overvoltage Category	III	III	II	
污染等级	Contamination Class	3	2	2	
额定电压	Rated Voltage [V]	160	200	400	
额定电流	Rated Current [A]	10	10	10	
额定冲击电压	Impulse withstand voltage [KV]	2.5	2.5	2.5	
导线截面积	Conductor cross section	0.2-1.5			
硬质/柔性导线	Solid/flexible [mm ²]	0.2-1.5			
材料		Material			
绝缘材料	Insulation Material	PA66			
阻燃等级	Imflamability	UL94V-0			
导体材料	Contacting Material	铜合金 Copper alloy			
导体表面镀层	Contactive Coating	镀锡 Sn Plated			
一般参数		Other Data			
间距	Pitch / 极数 Poles [mm] / [P]	3.5 / 02-24			
剥线长度	Stripping Length [mm]	5			
螺丝	Screw/ 扭矩 Torque(Max) [N.m]	M2/0.2			
工作温度	Operating temperature [°C]	-40~105			
焊锡温度	Soldering temperature	260°C/5S			
引针尺寸	Pin Dimensions [mm]	0.5*0.8			
PCB板孔径	PCB Hole Diameter [mm]	Ø1.1			

linear dimension(Tolerances Standard GB/T 14486-2008)



variable range	to	over 6 to 10	over 10 to 30	over 30 to 60	over 60 to 100	over 100 to 160	over 160 to 250	to 10	over 10 to 100	over 100 to
tolerance	±0.20	±0.30	±0.50	±0.70	±1.00	±1.30	±1.60	0.10	0.30	0.60

单位 / UNITS mm 尺寸 / SIZE A4 比例 / SCALE 3:1

第三视角 / THIRD ANGLE PROJECTION

版本 / REV V0



慈溪市万捷电子有限公司
CIXI WANJIE ELECTRONIC CO., LTD

名称 / TITLE

XD350-3.5-XXP-1YY-00A